



FITTING INSTRUCTIONS

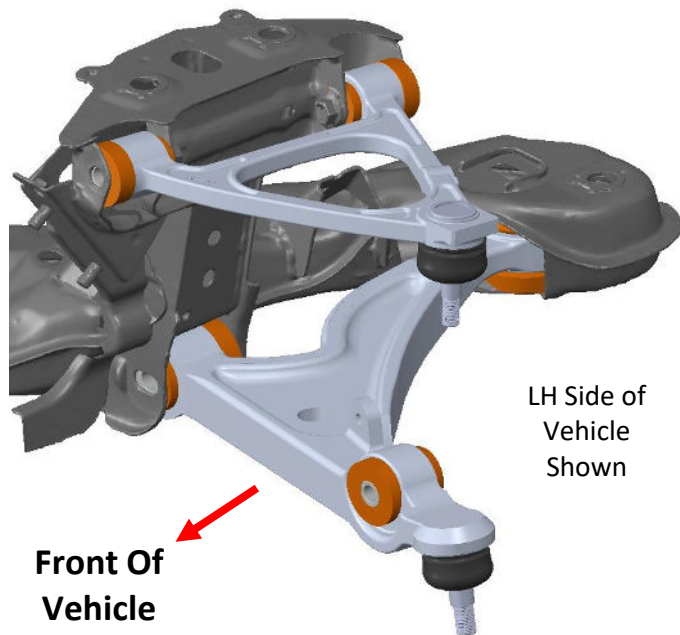
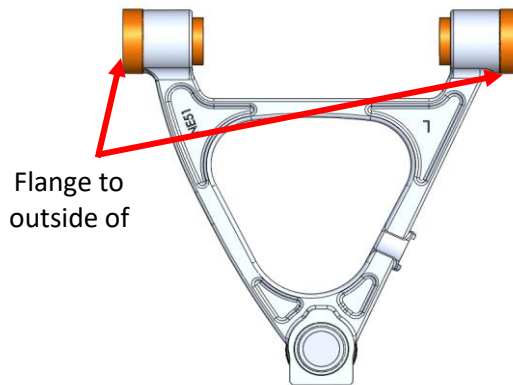
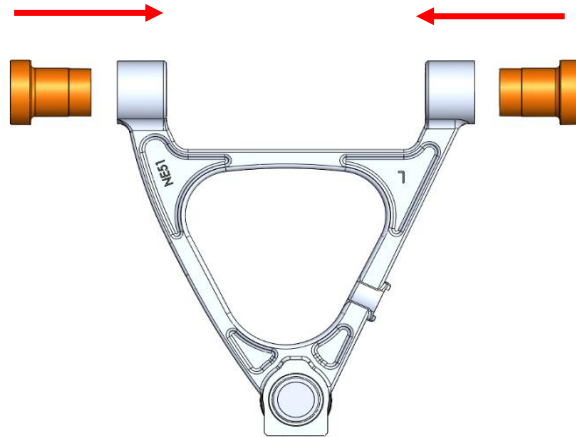
27M - Front Upper Wishbone Bush

Step 1:
Remove existing bushes and ensure the bore is clear of debris and sharp edges.

Step 2:
Apply some washing-up liquid or similar to the bore of the bush.

Step 3:
Fit the bush from the outside to the inside of the wishbone on either side.
NOTE: The flanges **must** be on the outside of the wishbone as shown in the diagram.

Step 4:
Refit control arms to vehicle and when at ride height, torque to manufacturers spec.



If you have any questions regarding the fitment of these bushes, please give us a ring on 01978 664316 or send us an e-mail at sales@polybush.co.uk.