



FITTING INSTRUCTIONS

44FY - Rear Drop Link Bush

44FY Contains
4 x Bushes
4 x Inner Tubes
4 x 44FN Washers



Step 1:
Remove the existing bushes.

Step 2:
Ensure the bore is free from sharp edges and remove any debris.

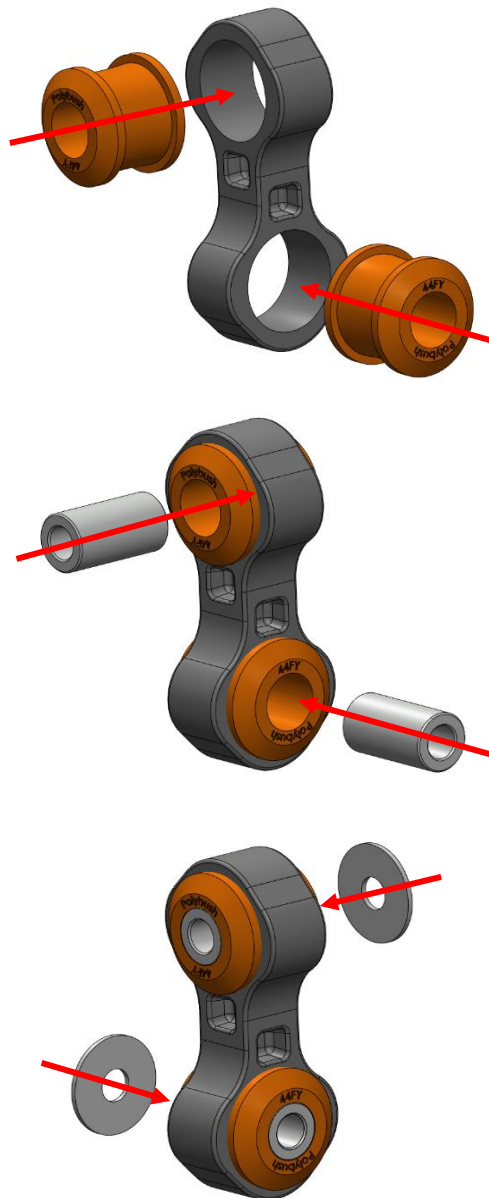
Step 2:
Apply washing-up liquid to the leading edges of the bushes and press in using a vice or hydraulic press until the bushes are fully seated.

Step 3:
Press in Inner Tubes until flush.

Step 4:
Apply washers to inner faces of the bush. I.e the side that touches the Wishbone and Anti-Roll Bar.

Step 5:
Refit and torque to car when at ride height using the manufacturers torque settings.

Step 6:
Follow the same process for the opposite arm.



If you have any questions regarding the fitment of these bushes, please give us a ring on 01978 664316.

or send an e-mail to sales@polybush.co.uk