



FITTING INSTRUCTIONS

44FL - Front Upper Control Arms

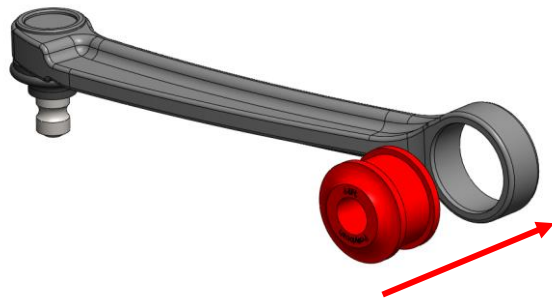
44FL Contains
2 x Bushes
2 x Inner Tubes



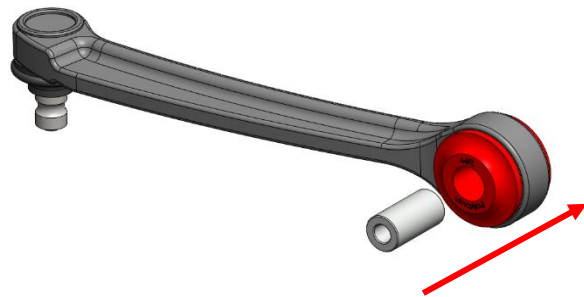
Step 1:
Remove the existing bushes.

Step 2:
Ensure the bore is free from sharp edges and remove any debris.

Step 2:
Apply washing-up liquid to the leading edge of the bush and press in using a vice or hydraulic press until the bush is fully seated.



Step 3:
Press in Inner Tube until flush.



Step 4:
Refit and torque to car when at ride height using the manufacturers torque settings.

Step 5:
Follow the same process for the rest of the upper arms.



If you have any questions regarding the fitment of these bushes, please give us a ring on 01978 664316.
or send an e-mail to sales@polybush.co.uk