



FITTING INSTRUCTIONS

38W - Rear Suspension Compliance Bush

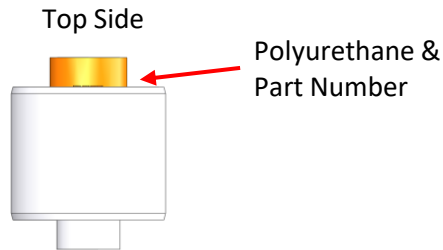
38W Contains
2 x 38W Bushes
2 x 38X PU Washers

Step 1: Press out the existing OEM bush.

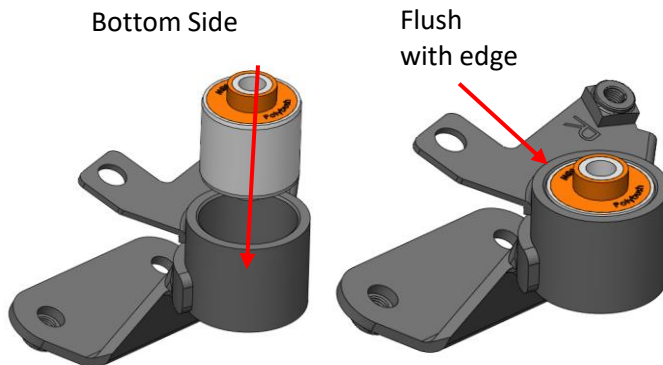
Step 2: Ensure there are no sharp edges or debris in the bore.



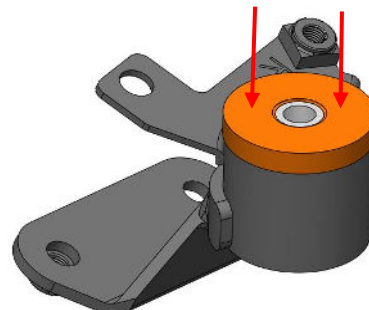
Step 3: Identify the bush. The bush has 2 different ends. The top side of the bush has Polyurethane around the tube and also the part number.



Step 4: Press the bush into the housing with the text facing upwards until flush with the top surface, shown in the diagram.



Step 5: Place the washer over the top of the inner tube and press down.



Step 6: Re-install bracket on to the car and torque to OEM specifications

If you have any questions regarding the fitment of these bushes, please give us a ring on 01978 664316.

or send an e-mail to sales@polybush.co.uk.