



FITTING INSTRUCTIONS

44GE - Rear Gearbox Support Mount

44GE Contains:
2 x 44GE Lower Bushes
2 x Inner Tubes

Step 1:
Remove existing bushes.

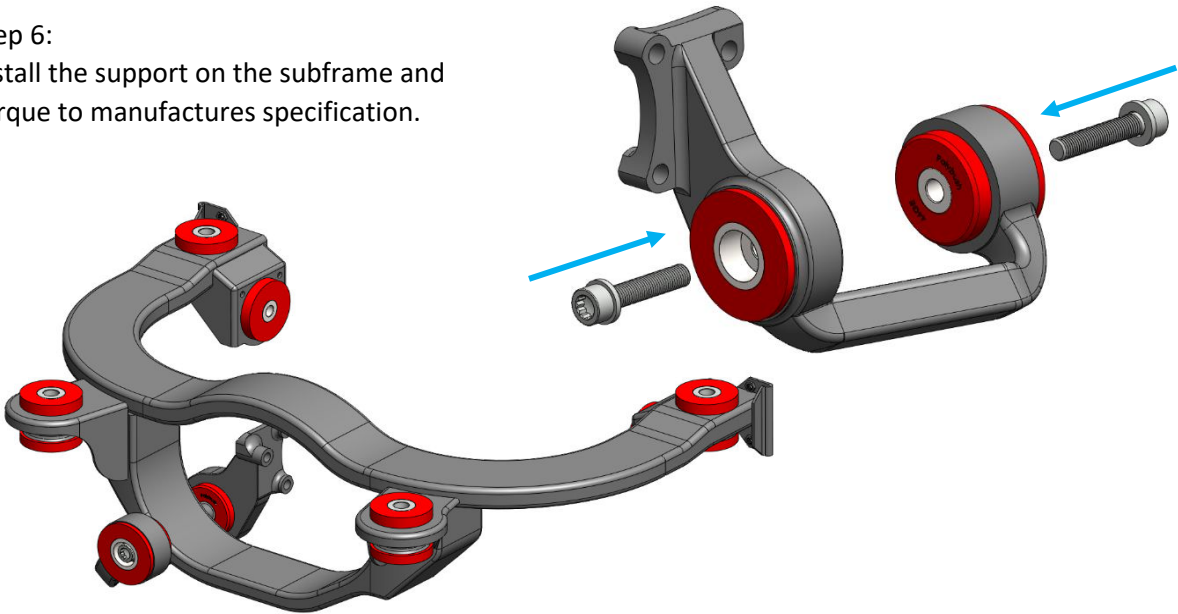
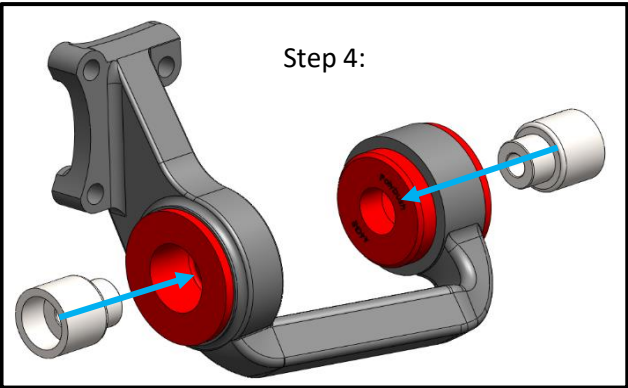
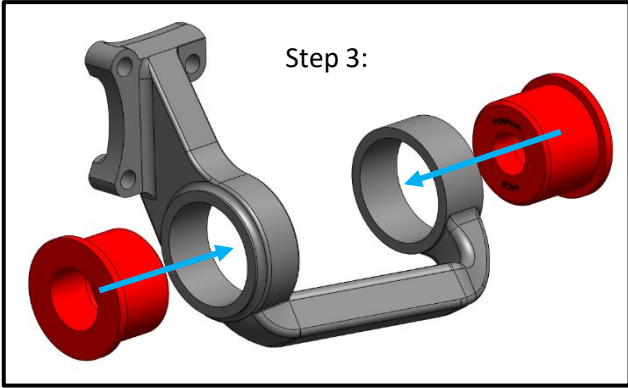
Step 2:
Ensure bores are clean from debris and remove any sharp edges.

Step 3:
44GE should be pressed in from the outside as shown in the diagram.

Step 4:
Press the inner tube in from the outside until fully seated in the bush.

Step 5:
Repeat on opposite side.

Step 6:
Install the support on the subframe and torque to manufactures specification.



If you have any questions regarding the fitment of these bushes, please give us a ring on 01978 664316 or send us an e-mail sales@polybush.co.uk