



FITTING INSTRUCTIONS

44GD Rear Differential Bushes

44GD Contains:
2 x 44GD Lower Bushes
2 x Inner Tubes

BEFORE Starting: These bushes should be installed before fitting the Subframe Bushes (44GB).

Step 1:
Remove existing bushes.

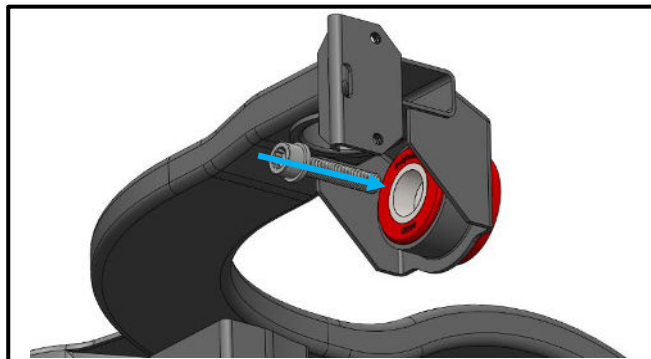
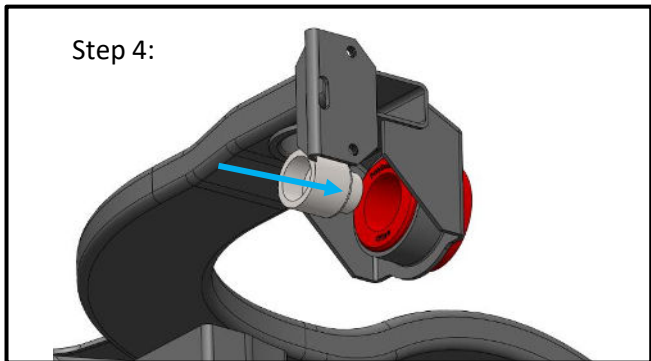
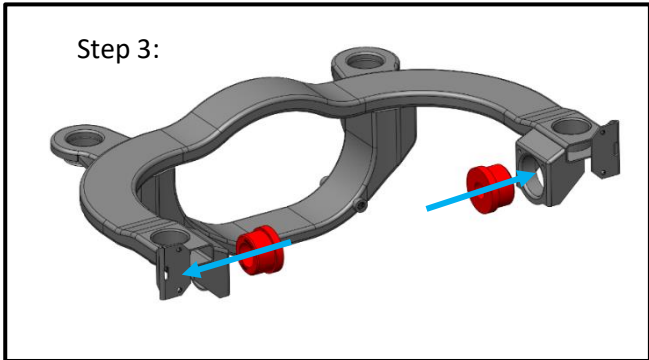
Step 2:
Ensure bores are clean from debris and remove any sharp edges.

Step 3:
44GD should be pressed in from the inside of the subframe to the outside as shown in the diagram.

Step 4:
Press the inner tube in from the outside of the subframe until fully seated in the bush.

Step 5:
Repeat on oppsite side.

Step 6:
Install the differential mounting cradle and torque to manufacturers specification.



If you have any questions regarding the fitment of these bushes, please give us a ring on 01978 664316 or send us an e-mail sales@polybush.co.uk