



FITTING INSTRUCTIONS

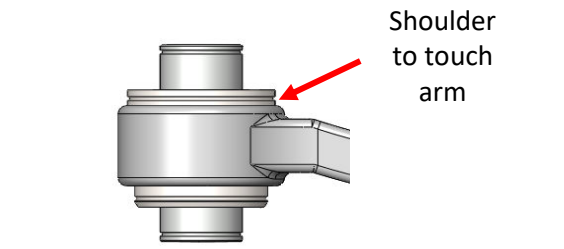
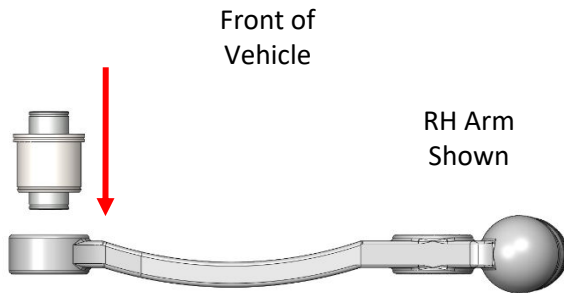
1DS - Front Lower Rear Control Arm Inner Bush (To Subframe)

1DS Contains
2 x Assembled 1DS Bushes
2 x Boot Seals (Large)
2 x Boot Seals (Small)

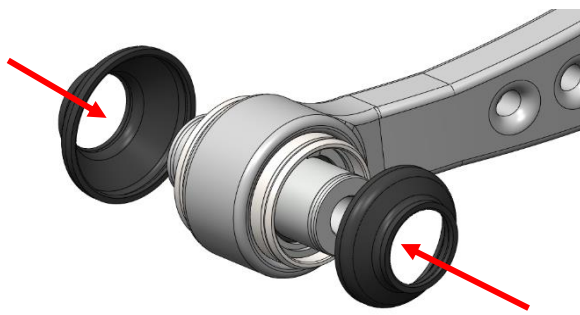
Step 1:
Remove existing bushes.

Step 2:
Ensure bores are clean from debris and remove any sharp edges.

Step 3:
Using a hydraulic press or similar, press the bush into the arm from the front of the car to the rear. Press the bush until the shoulder touches the arm. Ensure it is pressed in via the outer metal shell. Do NOT push on the inner tube.

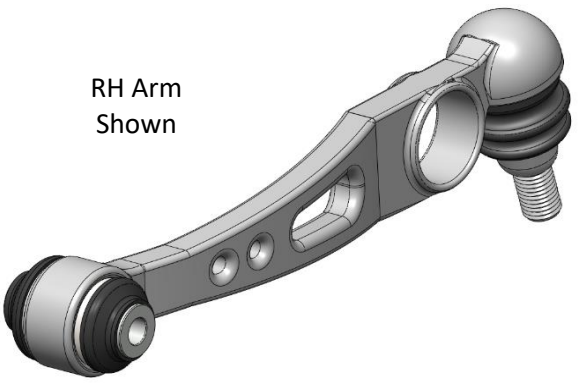


Step 4:
There are 2 different sizes of boot seals provided. The larger boot fits on the shoulder towards the front side of the vehicle. The smaller boot fits towards the rear of the car.



Step 5:
Fit the boot seals to either side of the bush by pushing them over the outer & inner tubes until a audible clip is heard.

Step 6:
Refit to the car and torque to manufactures settings when at "standard" ride height.



Step 7:
Repeat for the opposite side.

If you have any questions regarding the fitment of these bushes, please give us a ring on 01978 664316 or send us an e-mail sales@polybush.co.uk