

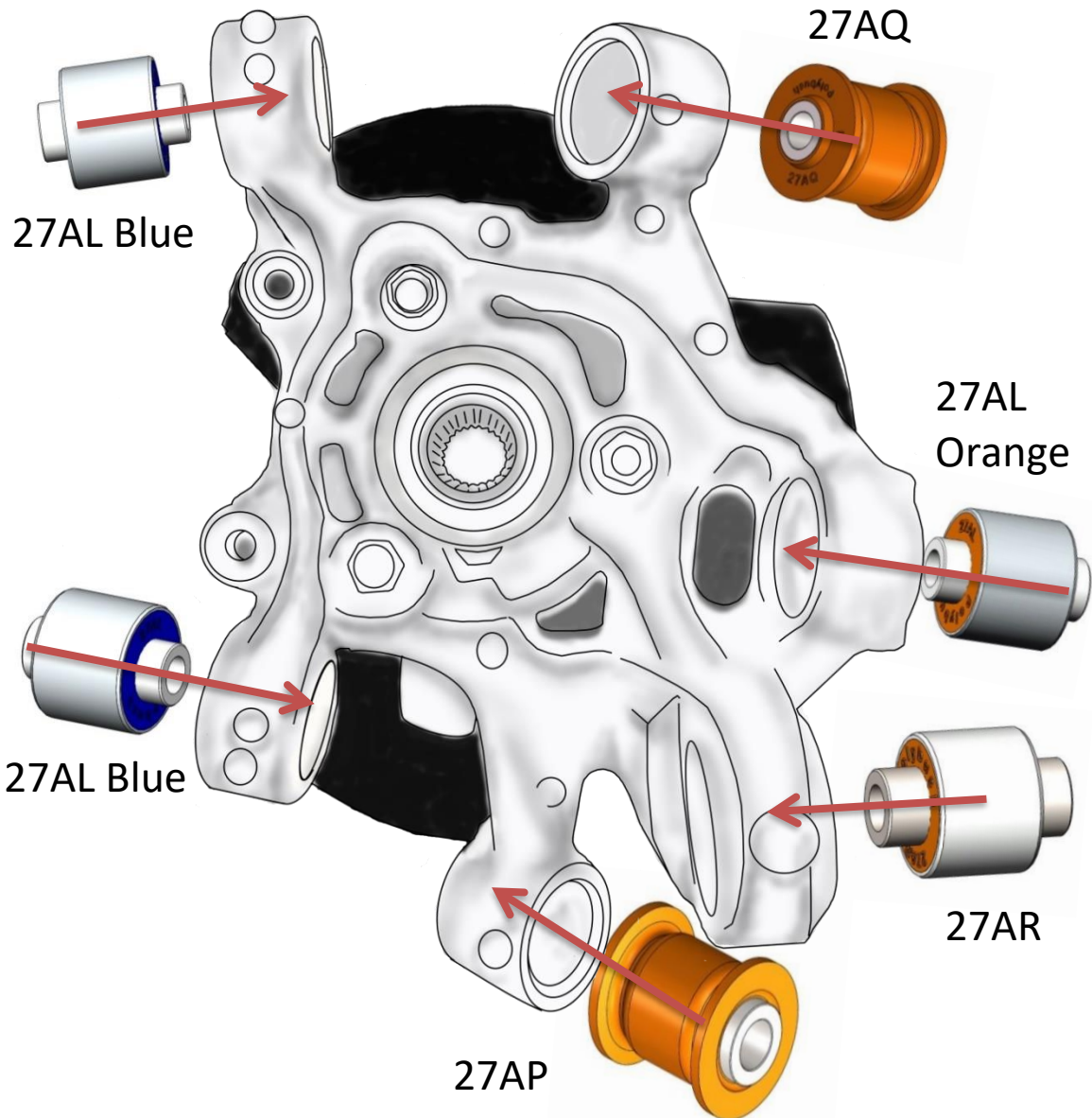


FITTING INSTRUCTIONS

Kit 210

Contents:

27AL Orange x 2	27AQ Orange x 2
27AP Orange x 2	27AR Orange x 2
27AL Blue x 4	



Note:
27AL BLUE is specifically designed to replace the 2 OEM spherical joint bushes. These should not be swapped for the harder 27AL ORANGE.



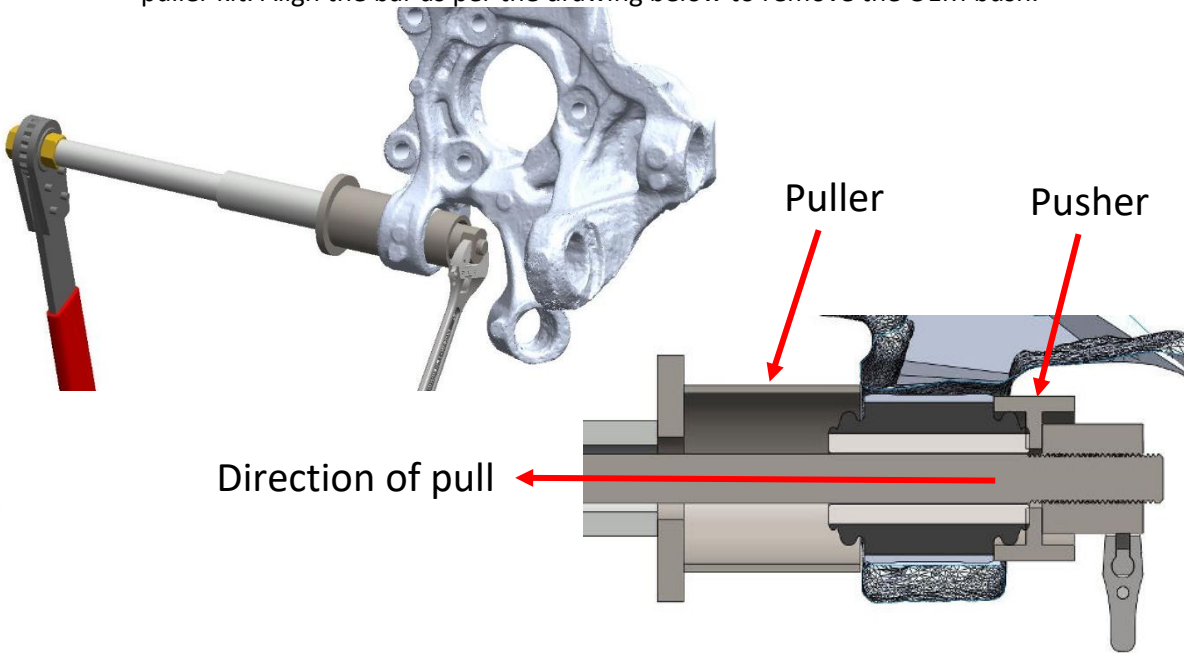


FITTING INSTRUCTIONS

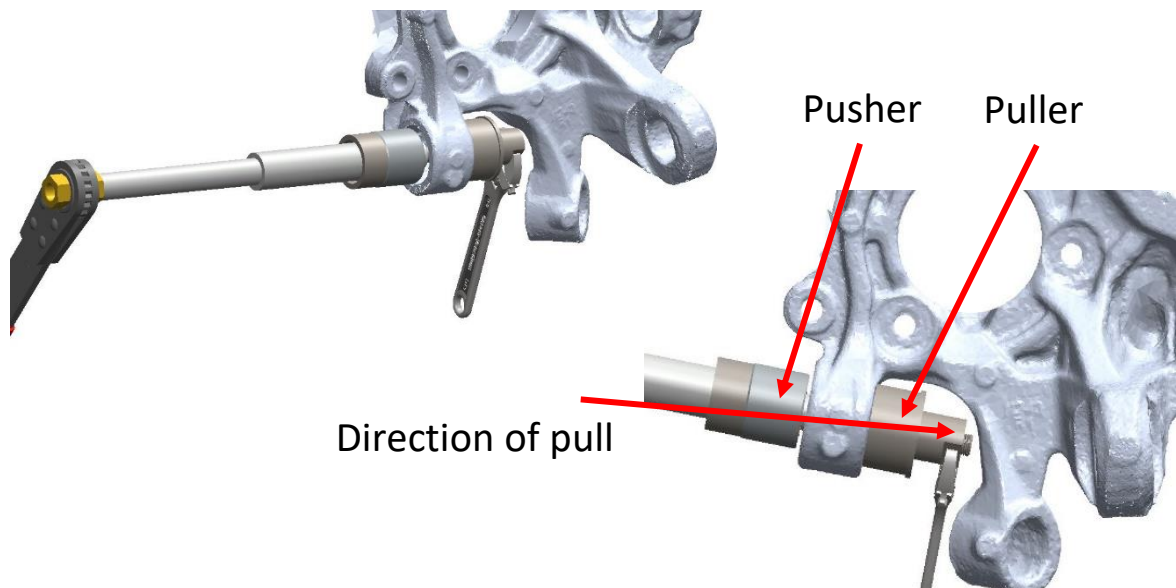
Kit 210

Removal / Installation

- Step 1: Remove hub/knuckle from the vehicle. This will give you the best access to each bush.
- Step 2: Use a M12 threaded bar or similar (Max 12.1mm) and appropriate socket set/bearing puller kit. Align the bar as per the drawing below to remove the OEM bush.



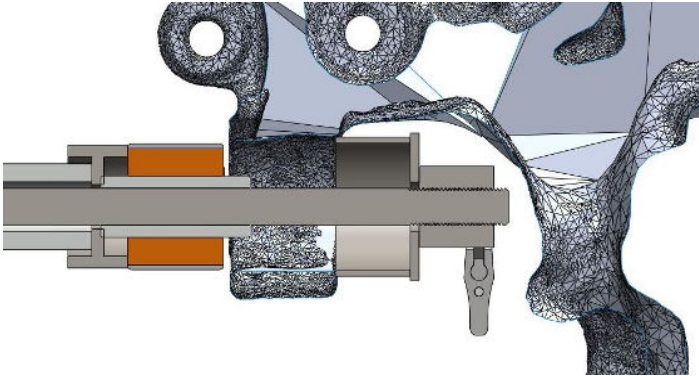
- Step 3: Reverse the order of the sockets/tubes to install the new Polybush's as per the diagram below. Note: For 27AQ & 27AP apply washing up liquid or tyre soap around the flange when fitting.



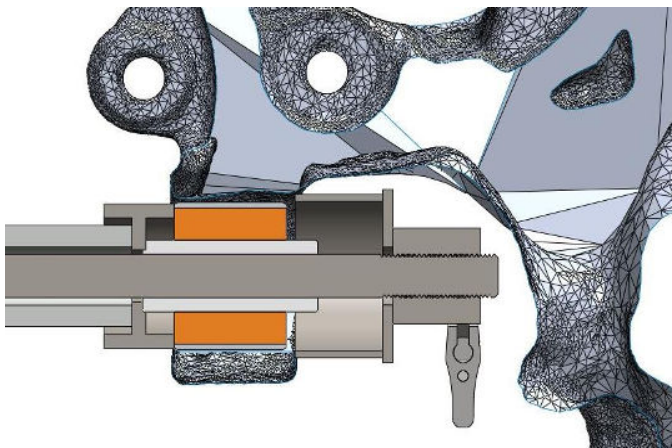


FITTING INSTRUCTIONS

Kit 210



Step 4: Wind in bush until flush with either side of the housing eye for 27AL & 27AR. Note: Ensure 27AQ & 27AP flanges are fully seated. (i.e. Both flanges should be fully visible).



Step 5: Repeat process for all bushes on both hubs/knuckles.

Step 6: Refit hub/knuckle to suspension arms and torque to manufactures setting when the vehicles in at ride height.

Min/ Max Sizing for Removal/Installation Tools

Part No.	Pusher Max OD	Puller Min ID	Notes
27AL Blue	40.5mm	42mm	
27AL Orange	40.5mm	42mm	Pusher/Nut needs to be short to fit into hub spacing.
27AR	36.7mm	38mm	
27AQ	35mm	45mm	
27AP	28mm	39mm	

If you have any questions regarding the fitment of these bushes, please give us a ring on 01978 664316 or send us an e-mail on sales@polybush.co.uk.