



FITTING INSTRUCTIONS

Thank you for purchasing a vehicle set of 41AC rear beam bushes for your Honda Civic FN/FK. The following instructions will help you fitting these bushes correctly to your vehicle.

Vehicles compatible with the purchased vehicle set

Honda	Civic	FK/FN	1.4	VTEC	2006-2011
			1.8	VTEC	2006-2011
			2.2	CTDI	2006-2011
			2.0	TYPE R	2006-2011

General instructions

If the bushes are a bit difficult to fit



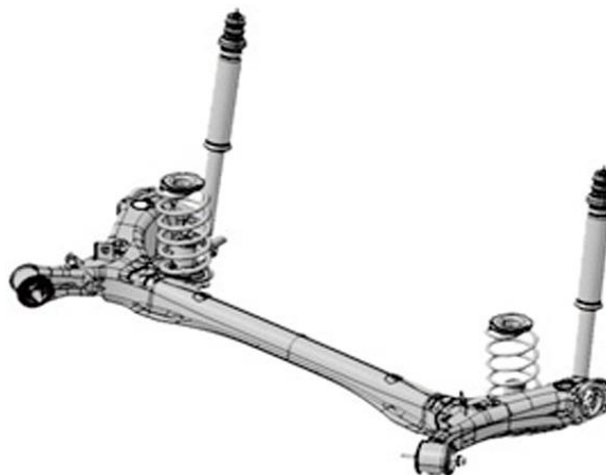
Use washing up liquid or handwash



WD40, copper grease or similar products are not needed.

Vehicle details

Your Honda Civic FN/FK is fitted with a rear torsion beam. It is a bar that links both wheels whilst being attached to the chassis at two locations.





FITTING INSTRUCTIONS

Bag Contents



2x 41AC Polyurethane Pieces and 2x 41AC washers

Before starting the fit of the bush onto the axle, the washer needs to be placed as per the picture below.



Position for the LH side of the car



Position for the RH side of



If you have any questions regarding the fitment of these bushes, please give us a ring on 01978664316 or send us an e-mail on sales@polybush.co.uk.

